

Heat Output

Avg Efficiency

Max Efficiency

Emissions

Burn Time

Log Size (max)

Weight

Manual

220+m²

69%

76%

0.97gm/kg

12 hours

400mm

125kg

ACMS

220+m²

75%

83%

0.6gm/kg

16 hours

400mm

127kg

STEEL RANGE VISTA LE2

THE NEXT GENERATION OF WOOD HEATERS

Designed for exceptional performance and efficiency, the Vista LE2 is perfect for those who demand more from their wood heater. Available in its standard configuration or with the optional ACMS (Advanced Combustion Management System) for enhanced performance.

Vista LE2 (Manual)

Efficiency: 69%

Emissions: 0.97gm/kg

Burn Time: 10 - 12 hours

Vista LE2 Smart Heater (with ACMS)

Upgrade your Vista LE2 with the optional ACMS, an advanced electronic thermostat system. The ACMS continually monitors and adjusts your fire's primary and secondary air intake to ensure cleaner, longer, and more efficient burns.

Benefits of Adding ACMS:

Improved Efficiency: Boosts efficiency from 69% to 75%, saving up to 1 ton of wood annually.

Emissions: 0.6gm/kg

Extended Burn Time: Increases burn duration to an impressive 15+ hours.

STANDARD

Steel Firebox with 8mm thick steel Cook Top: 10 year warranty

304 grade Stainless Steel Baffle: 10 year warranty

Cast Iron Door: With roller door handle for ease of closing

Deep Firebox: Takes 450mm long wood

True Slow Combustion: Offering long burn time

EBT: Automatic draft breaker, perfect for homes with excess flue

Clean Glass Tech: Turbulent air wash for cleaner glass

Direct Air: Bellow air direct into coals for fast lighting

Fully fire bricked lined

Leveling legs

ADD-ONS



+ Outside Air Adapter: Perfect for new homes



2 Speed Fan: Thermostatically Controlled



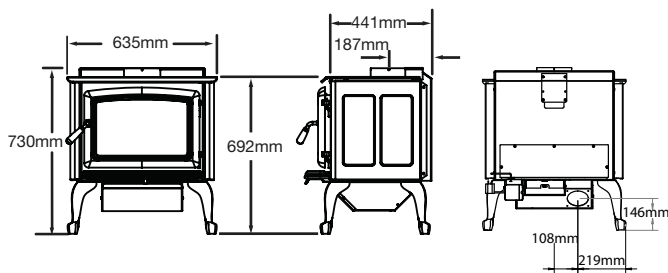
Ash System: Self Sealing & pull out ashtray



ACMS: Advanced Combustion Management System

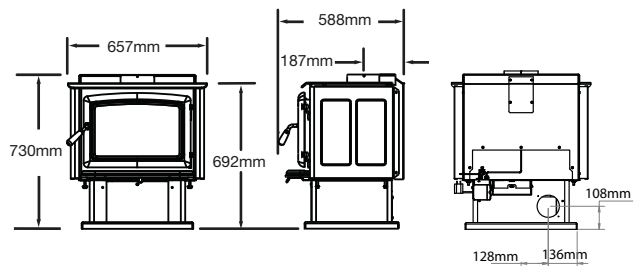
DIMENSIONS

Leg model



Optional outside air

Pedestal model

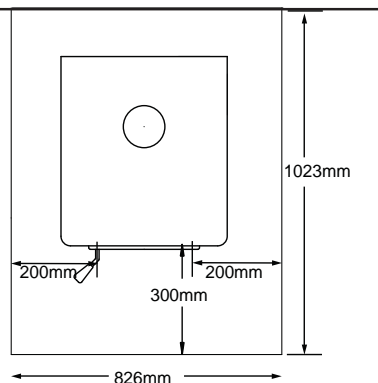


Optional outside air

HEARTH & CLEARANCES

Rear: 100mm

Side: 250mm



Corner: 150mm

